

BVK PRO EC FANS



DESCRIPTION

The roof fan is designed for external installation, at the ends of ventilation ducting, in garages, residential, commercial and industrial buildings with a low level of particulate air pollution.

APPLICATION

BVK roof fans are used in exhaust systems in various types of rooms. They are adapted for mounting on insulated and damped roof bases. The diameter or cross-section of ventilation ducting depends on the size and the type of fan.

INSTALLATION

The fan is mounted on a roof base (insulated or damped), installed above the ventilation ducting. The electrical connection and installation must be carried out in accordance with the manual and wiring diagram presented in the product DTR.

FEATURES

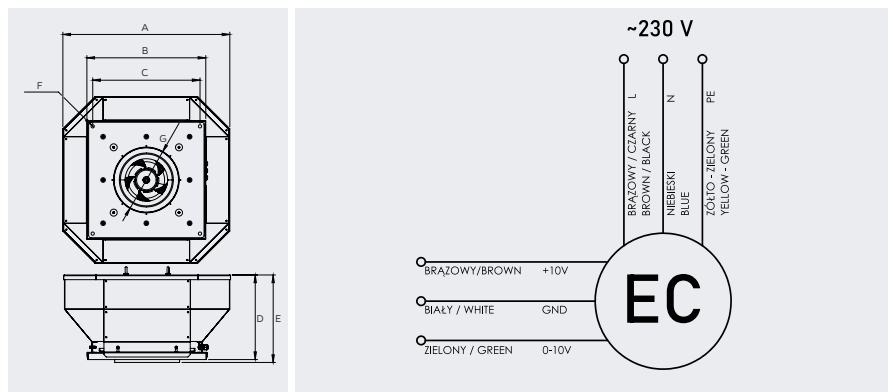
- Vertical air discharge;
- Galvanised sheet metal construction;
- EC motor
- 0-10V control
- Adaptor plate with spigot has been added to in the kit

BVK PRO 280 EC

TECHNICAL DATA

| Model BVK PRO 280 EC | |
|--|------------|
| Number of phases, nominal power supply [V] | 1-;230 |
| Supply range [V] | 200÷277 AC |
| Frequency [Hz] | 50/60 |
| Max. power consumption [W] | 500 |
| Max. current consumption [A] | 2,5 |
| Weight [kg] | 31 |
| Motor protection class [IP] | 54 |
| Max. output [m ³ /h] | 3400 |

ELECTRICAL WIRING DIAGRAM



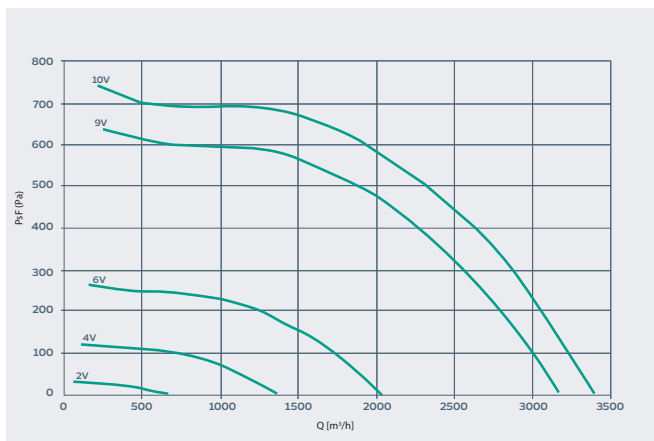
DIMENSIONS [mm]

| Model | A | B | C | D | E | ØF | ØG |
|----------------|-----|-----|-----|-------|-----|----|-----|
| BVK PRO 280 EC | 716 | 510 | 460 | 362,5 | 375 | 10 | 278 |

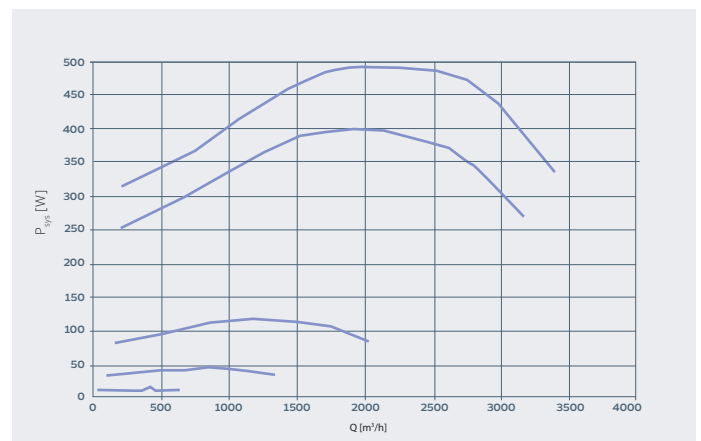
ACOUSTIC ATTENUATION

| | 63 Hz | 125 Hz | 250 Hz | 500 Hz | 1000 Hz | 2000 Hz | 4000 Hz | 8000 Hz | Calkowite |
|-------|-------|--------|--------|--------|---------|---------|---------|---------|-----------|
| Lw(A) | 48 | 55 | 67 | 74 | 69 | 65 | 64 | 74 | 78 |
| Lw | 74 | 71 | 75 | 77 | 70 | 64 | 63 | 76 | 83 |

PERFORMANCE CHARACTERISTICS



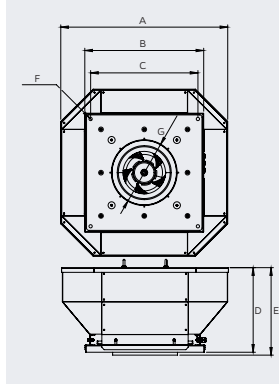
POWER CONSUMPTION



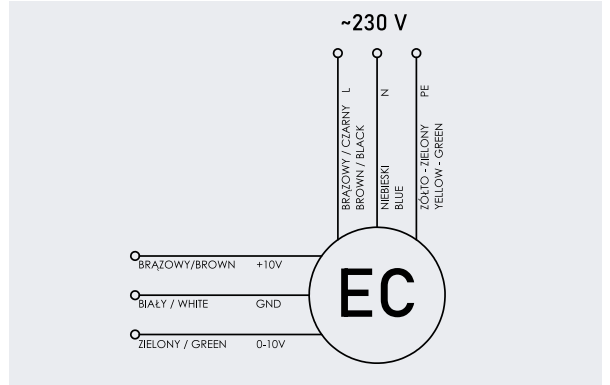
BVK PRO 315 EC

TECHNICAL DATA

| Model BVK PRO 315 EC | |
|--|------------|
| Number of phases, nominal power supply [V] | 1-;230 |
| Supply range [V] | 200÷277 AC |
| Frequency [Hz] | 50/60 |
| Max. power consumption [W] | 500 |
| Max. current consumption [A] | 2,5 |
| Weight [kg] | 31 |
| Motor protection class [IP] | 54 |
| Max. output [m³/h] | 3400 |



ELECTRICAL WIRING DIAGRAM



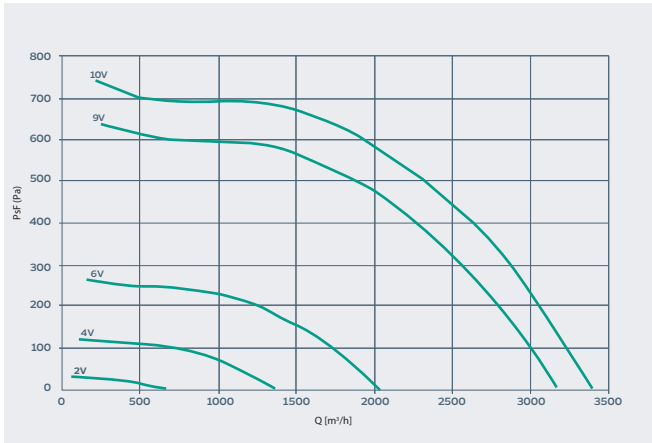
DIMENSIONS [mm]

| Model | A | B | C | D | E | ØF | ØG |
|----------------|-----|-----|-----|-------|-----|----|-----|
| BVK PRO 315 EC | 716 | 510 | 460 | 362,5 | 372 | 10 | 313 |

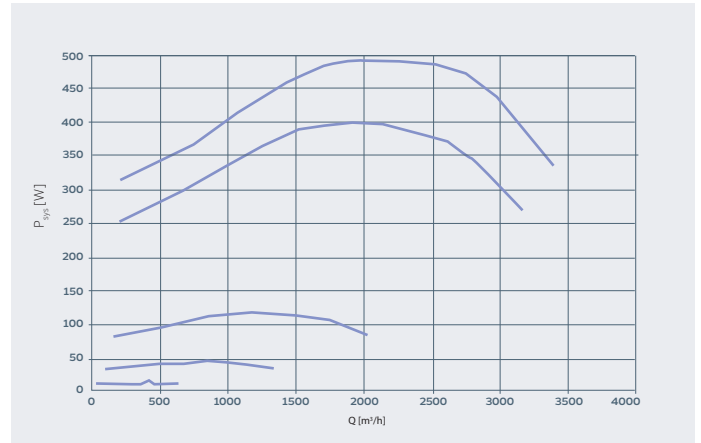
ACOUSTIC ATTENUATION

| | 63 Hz | 125 Hz | 250 Hz | 500 Hz | 1000 Hz | 2000 Hz | 4000 Hz | 8000 Hz | Calkowite |
|-------|-------|--------|--------|--------|---------|---------|---------|---------|-----------|
| Lw(A) | 48 | 55 | 67 | 74 | 69 | 65 | 64 | 74 | 78 |
| Lw | 74 | 71 | 75 | 77 | 70 | 64 | 63 | 76 | 83 |

PERFORMANCE CHARACTERISTICS



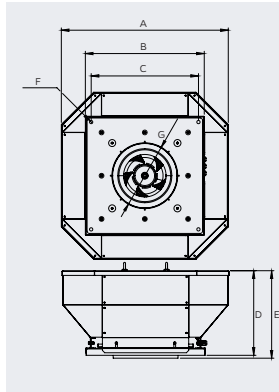
POWER CONSUMPTION



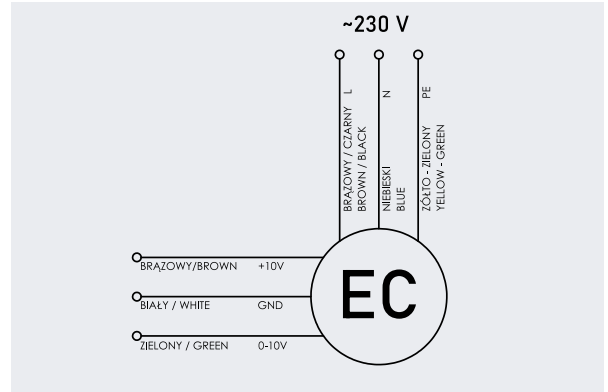
BVK PRO 355 EC

TECHNICAL DATA

| Model BVK PRO 355 EC | |
|--|------------|
| Number of phases, nominal power supply [V] | 1-;230 |
| Supply range [V] | 200÷277 AC |
| Frequency [Hz] | 50/60 |
| Max. power consumption [W] | 740 |
| Max. current consumption [A] | 3,8 |
| Weight [kg] | 38 |
| Motor protection class [IP] | 54 |
| Max. output [m³/h] | 4700 |



ELECTRICAL WIRING DIAGRAM



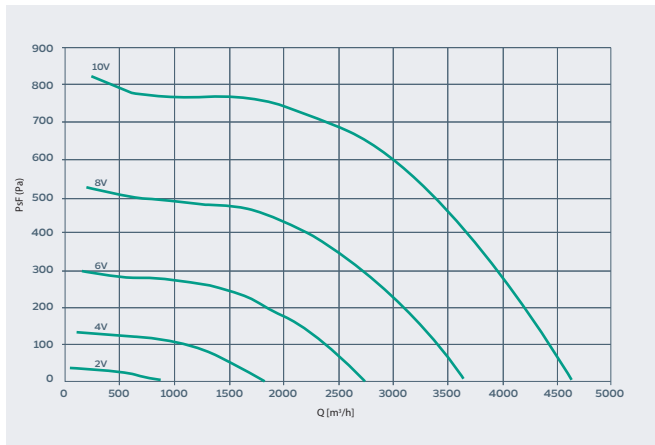
DIMENSIONS [mm]

| Model | A | B | C | D | E | ØF | ØG |
|----------------|-----|-----|-----|-------|-----|----|-----|
| BVK PRO 355 EC | 833 | 610 | 560 | 372,5 | 409 | 11 | 353 |

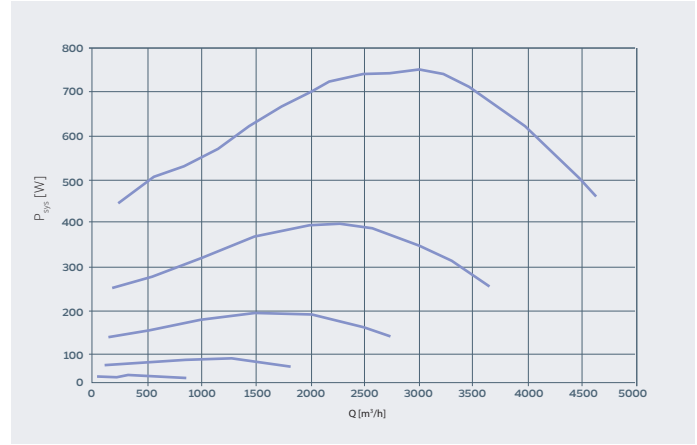
ACOUSTIC ATTENUATION

| | 63 Hz | 125 Hz | 250 Hz | 500 Hz | 1000 Hz | 2000 Hz | 4000 Hz | 8000 Hz | Całkowite |
|-------|-------|--------|--------|--------|---------|---------|---------|---------|-----------|
| Lw(A) | 36 | 47 | 59 | 63 | 64 | 59 | 56 | 52 | 68 |
| Lw | 62 | 62 | 69 | 66 | 64 | 57 | 55 | 54 | 73 |

PERFORMANCE CHARACTERISTICS



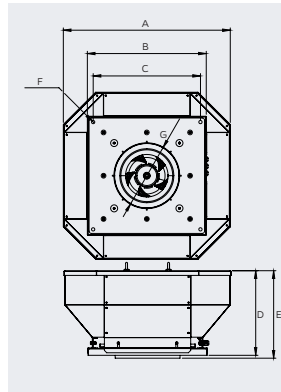
POWER CONSUMPTION



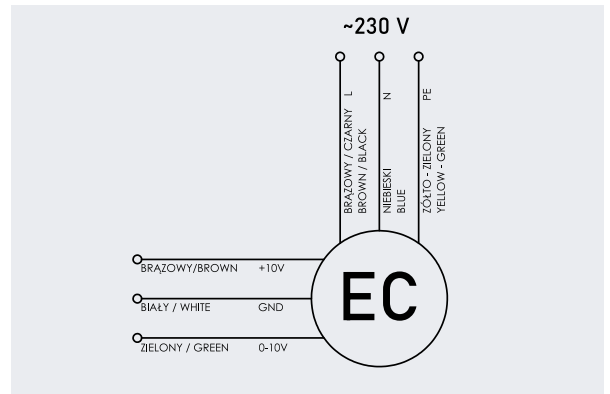
BVK PRO 450 EC

TECHNICAL DATA

| Model BVK PRO 450 EC | |
|--|------------|
| Number of phases, nominal power supply [V] | 1-;230 |
| Supply range [V] | 200÷277 AC |
| Frequency [Hz] | 50/60 |
| Max. power consumption [W] | 1,3 |
| Max. current consumption [A] | 6,8 |
| Weight [kg] | 56 |
| Motor protection class [IP] | 54 |
| Max. output [m³/h] | 7600 |



ELECTRICAL WIRING DIAGRAM



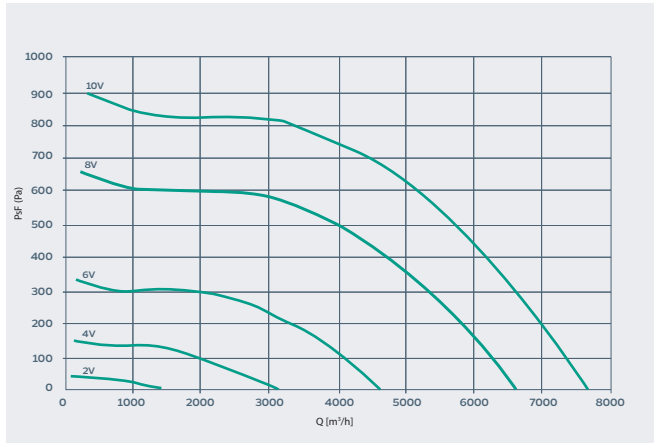
DIMENSIONS [mm]

| Model | A | B | C | D | E | ØF | ØG |
|----------------|-----|-----|-----|-------|-------|----|-----|
| BVK PRO 450 EC | 916 | 660 | 610 | 442,5 | 501,5 | 11 | 448 |

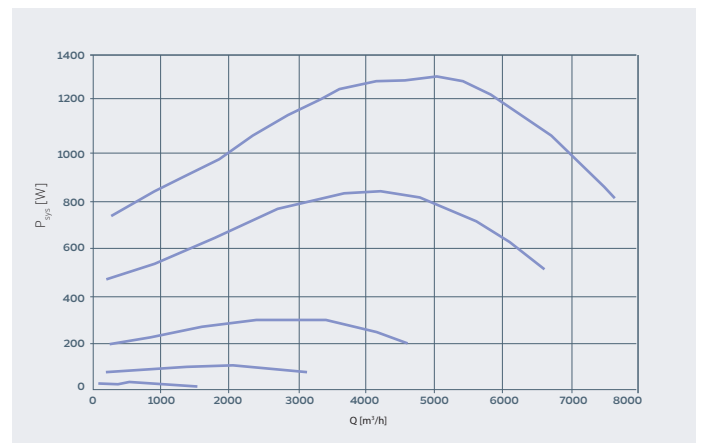
ACOUSTIC ATTENUATION

| | 63 Hz | 125 Hz | 250 Hz | 500 Hz | 1000 Hz | 2000 Hz | 4000 Hz | 8000 Hz | Całkowite |
|-------|-------|--------|--------|--------|---------|---------|---------|---------|-----------|
| Lw(A) | 40 | 57 | 65 | 64 | 64 | 62 | 59 | 57 | 71 |
| Lw | 66 | 71 | 72 | 67 | 64 | 61 | 58 | 58 | 76 |

PERFORMANCE CHARACTERISTICS



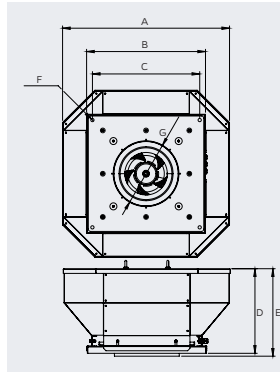
POWER CONSUMPTION



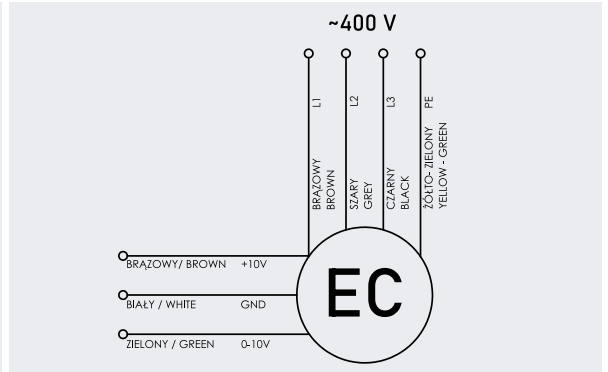
BVK PRO 560 EC

TECHNICAL DATA

| Model BVK PRO 560 EC | |
|--|------------|
| Number of phases, nominal power supply [V] | 3-;400 |
| Supply range [V] | 380÷480 AC |
| Frequency [Hz] | 50/60 |
| Max. power consumption [W] | 3,4 |
| Max. current consumption [A] | 5,4 |
| Weight [kg] | 106 |
| Motor protection class [IP] | 54 |
| Max. output [m³/h] | 16800 |



ELECTRICAL WIRING DIAGRAM



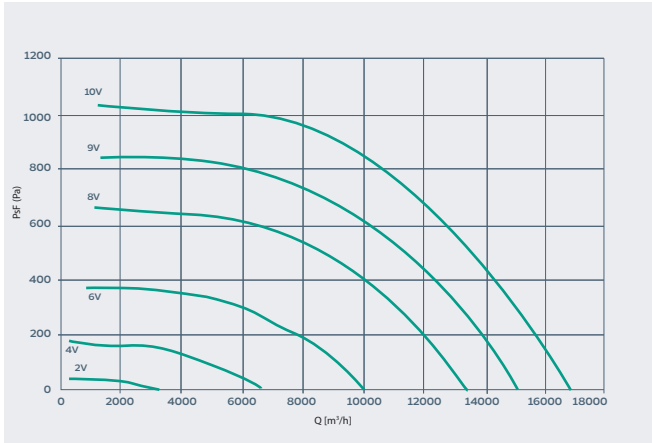
DIMENSIONS [mm]

| Model | A | B | C | D | E | ØF | ØG |
|----------------|------|-----|-----|-------|-------|----|-----|
| BVK PRO 560 EC | 1234 | 860 | 810 | 592,5 | 648,5 | 14 | 558 |

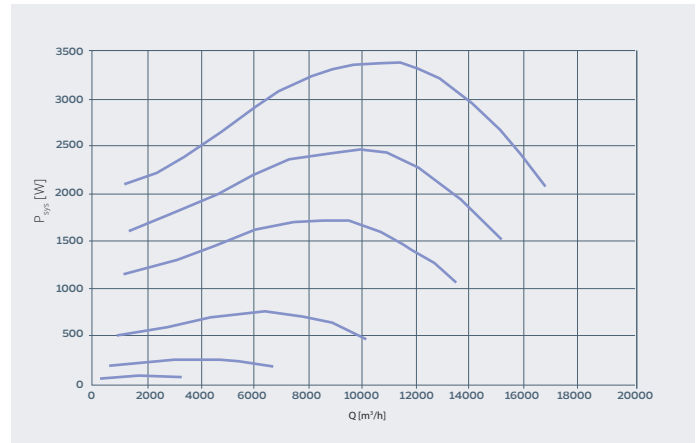
ACOUSTIC ATTENUATION

| | 63 Hz | 125 Hz | 250 Hz | 500 Hz | 1000 Hz | 2000 Hz | 4000 Hz | 8000 Hz | Calculated |
|-------|-------|--------|--------|--------|---------|---------|---------|---------|------------|
| Lw(A) | 54 | 71 | 79 | 78 | 76 | 74 | 71 | 83 | 86 |
| Lw | 79 | 87 | 87 | 82 | 76 | 73 | 70 | 85 | 92 |

PERFORMANCE CHARACTERISTICS



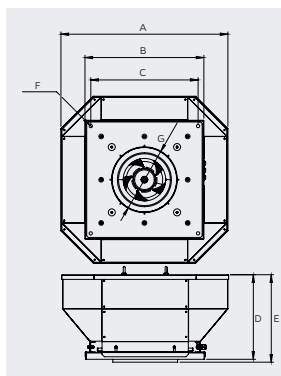
POWER CONSUMPTION



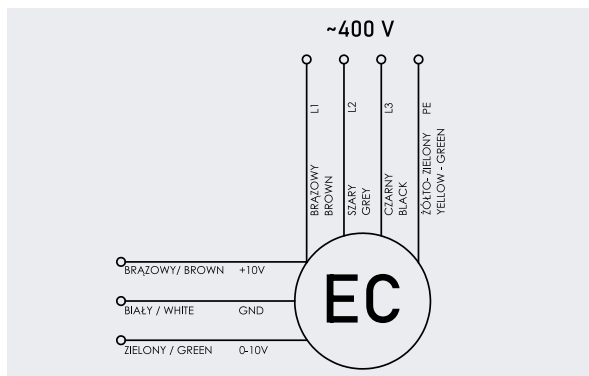
BVK PRO 630 EC

TECHNICAL DATA

| Model BVK PRO 630 EC | |
|--|------------|
| Number of phases, nominal power supply [V] | 3-;400 |
| Supply range [V] | 380÷480 AC |
| Frequency [Hz] | 50/60 |
| Max. power consumption [W] | 3,4 |
| Max. current consumption [A] | 5,4 |
| Weight [kg] | 106 |
| Motor protection class [IP] | 54 |
| Max. output [m³/h] | 16800 |



ELECTRICAL WIRING DIAGRAM



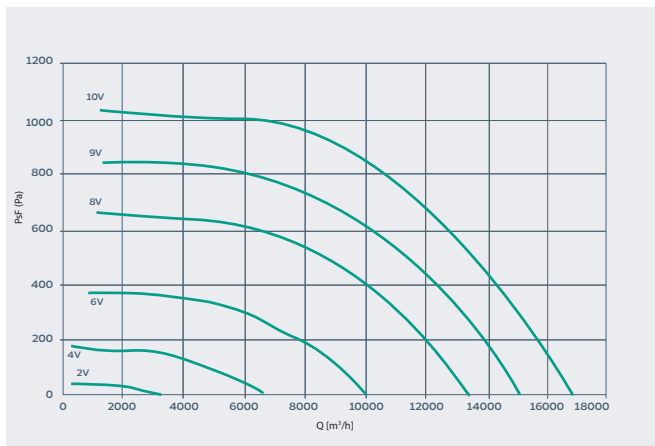
DIMENSIONS [mm]

| Model | A | B | C | D | E | ØF | ØG |
|----------------|------|-----|-----|-------|-------|----|-----|
| BVK PRO 630 EC | 1234 | 860 | 810 | 592,5 | 648,5 | 14 | 628 |

ACOUSTIC ATTENUATION

| | 63 Hz | 125 Hz | 250 Hz | 500 Hz | 1000 Hz | 2000 Hz | 4000 Hz | 8000 Hz | Całkowite |
|-------|-------|--------|--------|--------|---------|---------|---------|---------|-----------|
| Lw(A) | 54 | 71 | 79 | 78 | 76 | 74 | 71 | 83 | 86 |
| Lw | 79 | 87 | 87 | 82 | 76 | 73 | 70 | 85 | 92 |

PERFORMANCE CHARACTERISTICS



POWER CONSUMPTION

