

BRL VENTILATION LOUVRES

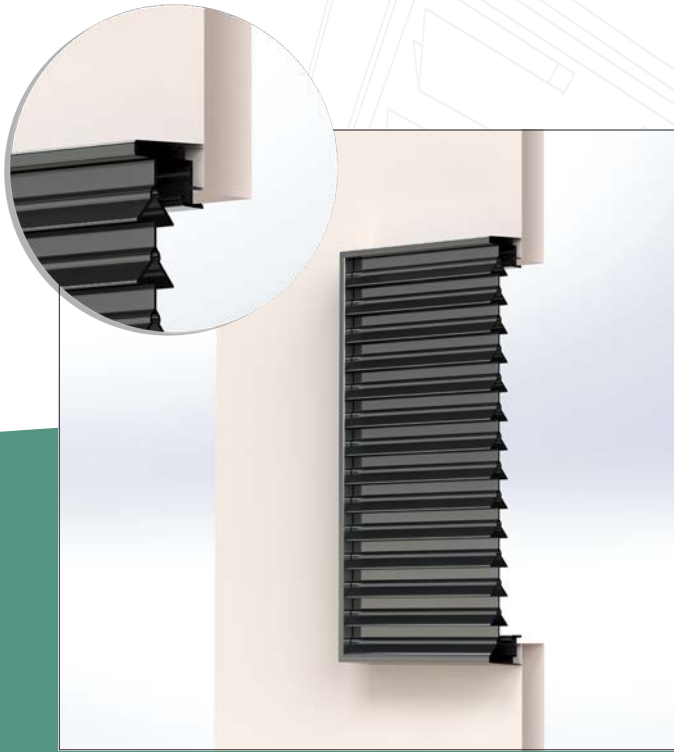
For Facades – Doors – Windows



Brook House, Dunmurry Industrial Estate, Dunmurry, Belfast, Co. Antrim, BT17 9HU
Tel: +44 (0)28 9061 6505 / Fax: +44 (0)28 9061 6518 / Email: hello@brookvent.co.uk

airlouvre 
BRL

Introduction



Surface mounted louvre



Flanged louvre



Glazed-in louvre

WHY LOUVRES?

The main reason for using louvres is permit the movement of air. Each project should be considered ensuring that the specified louvre provides all the desired performance criteria. Weather resistance louvres offer both good airflow & protection from water ingress.

WHO ARE WE?

Brookvent are leading UK manufactures of ventilation systems.

Whatever your ventilation need we look to have a solution. Our “Right Products, Best advice” mantra has helped our customers to provide the solutions that are demanded in the modern world.

Brookvent airlouvre systems principally use aluminium. This is the most sustainable building material as it is durable and strong and is also 100% recyclable.

Our manufacturing facilities in UK and mainland Europe produce products to the best EN and British standards. We are committed to reducing carbon footprint across our ranges and use sustainable sourcing and lean manufacturing methods to be environmentally friendly. Our ISO 4001 environmental accreditation is a testament to our commitment to protect the planet.

We are committed to quality. We understand that the biggest risks in the construction sector are delays caused by product availability or quality issues. We hold ISO 9001 accreditation and always put the needs of our customer first. We put our efforts into understanding your requirements and delivering high quality solutions, on time and within budget.

Whether you need the best selling 34Z with a nominal 50% free area or a more specialist louvre we have it within our range. We cover security options, insect grilles, weather resistance and high airflow ventilation solutions.

Across Brookvent, our people are both friendly and experts in the field. We welcome the chance to help you solve your ventilation challenges.

Remember our motto, Right products, best advice.

Do get in touch, we look forward to working with you.

Standard ventilation louvres

Type of blade	Flanged louvres (FL)	Glazed-in louvres (GL)	Surface mounted louvres (SM)
20 V	BRL20V-FL 06	BRL20V-GL 04	BRL20V-SM 05
34 V	BRL34V-FL 08	BRL34V-GL 07	BRL34Z-SM 10
34 Z	BRL34Z-FL 11	BRL34Z-GL 09	
50 Z	BRL50Z-FL 19	BRL50Z-GL 18	
60 Z	BRL60Z-FL 23	BRL60Z-GL 22	
65 Z	BRL65Z-FL 26		
75 Z	BRL75Z-FL 28		

Ventilation louvres with increased flow area (HF)

Type of blade	Flanged louvres (FL)	Glazed-in louvres (GL)	Surface mounted louvres (SM)
34 Z	BRL34Z-FL HF 14	BRL34Z-GL HF 12	BRL34Z-SM HF 13



Ventilation louvres with increased water resistance (EWR)

Type of blade	Flanged louvres (FL)	Glazed-in louvres (GL)	Surface mounted louvres (SM)
34 Z	BRL34Z-FL EWR 17	BRL34Z-GL EWR 15	BRL34Z-SM EWR 16
50 Z	BRL50Z-FL EWR 21	BRL50Z-GL EWR 20	
60 Z	BRL60Z-FL EWR 25	BRL60Z-GL EWR 24	
65 Z	BRL65Z-FL EWR 27		
75 Z	BRL75Z-FL EWR 29		



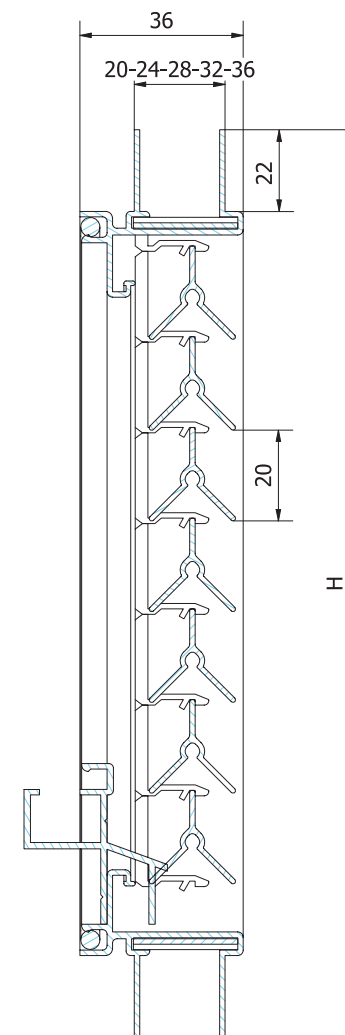
BRL20V-GL

Glazed-in louvre with 20 V-blade



TECHNICAL DETAILS	
Profile	Extruded alu profiles EN AW-6060 T66 (AlMgSi0.5 F22)
Profile thickness	min. 1,1 mm
Height of the blade	20 mm
Blade pitch	20 mm
Rebate size	22 mm
Glazing thickness	20, 24, 28, 32 and 36 mm
Visual free area	94%
Physical free area	30%
Stainless steel mesh	RVS (AISI 304) with apertures 2.3 x 2.3 mm
Reinforcement	Louvres wider than 700 mm are provided with a reinforcement profile carrying additional blade supports to strengthen the wide louvre
INSTALLATION	
Fitting into glazing pocket using standard beads and packers.	
SHAPES	
Rectangular. square	
OPTIONS	
Insect mesh; water gutter.	

DIMENSIONS	
Min. dimension (height x width): 200 x 200 mm	
Max. dimension (height x width): 2000 x 4000 mm	
Other dimensions on request	



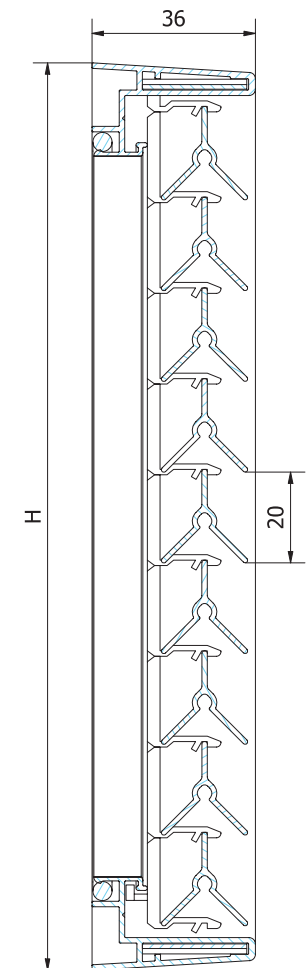
BRL20V-SM

Surface mounted louvre with 20 V-blade



TECHNICAL DETAILS	
Profile	Extruded alu profiles EN AW-6060 T66 (AlMgSi0.5 F22)
Profile thickness	min. 1,1 mm
Height of the blade	20 mm
Blade pith	20 mm
Frame depth	36 mm
Visual free area	94%
Physical free area	30%
Stainless steel mesh	RVS (AISI 304) with apertures 2.3 x 2.3 mm
Reinforcement	Louvres wider than 700 mm are provided with a reinforcement profile carrying additional blade supports to strengthen the wide louvre
INSTALLATION	
By means of screws and plugs (not included)	
SHAPES	
Rectangular. square	
OPTIONS	
Insect mesh; water gutter.	

DIMENSIONS
Min. dimension (height x width): 200 x 200 mm
Max. dimension (height x width): 2000 x 4000 mm
Other dimensions on request



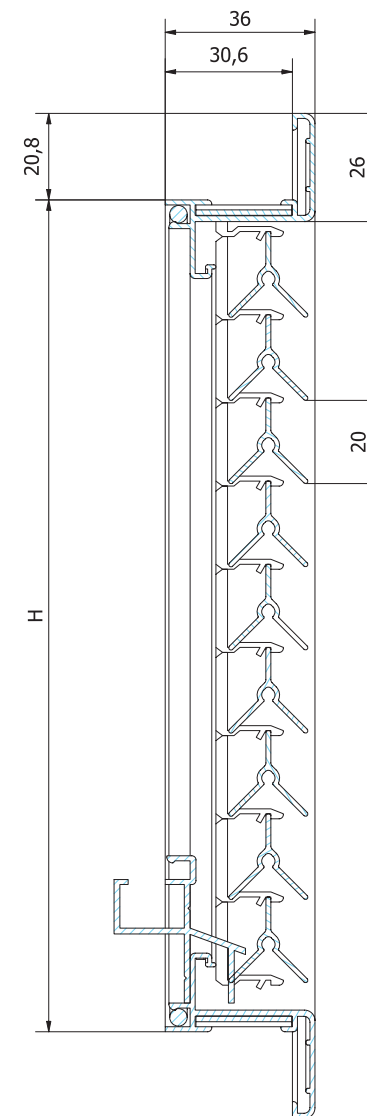
BRL20V-FL

Wall louvre with flange with 20 V-blade



TECHNICAL DETAILS	
Profile	Extruded alu profiles EN AW-6060 T66 (AlMgSi0.5 F22)
Profile thickness	min. 1.1 mm
Height of the blade	20 mm
Blade pitch	20 mm
Depth to fit	30,6 mm
Flange depth	20,8 mm
Visual free area	94%
Physical free area	30%
Stainless steel mesh	RVS (AISI 304) with apertures 2.3 x 2.3 mm
Reinforcement	Louvres wider than 700 mm are provided with a reinforcement profile carrying additional blade supports to strengthen the wide louvre
INSTALLATION	
Brackets (supplied as standard)	
SHAPES	
Rectangular. square	
OPTIONS	
Insect mesh; water gutter.	

DIMENSIONS	
Min. dimension (height x width): 200 x 200 mm	
Max. dimension (height x width): 2000 x 4000 mm	
Other dimensions on request	



FL

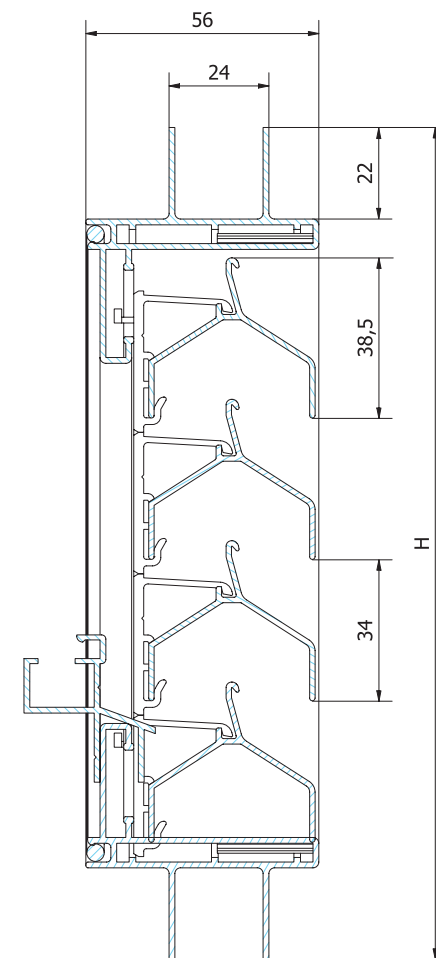
BRL34V-GL

Glazed-in louvre with 34 V-blade



TECHNICAL DETAILS	
Profile	Extruded alu profiles EN AW-6060 T66 (AlMgSi0.5 F22)
Profile thickness	min. 1,3 mm
Glazing thickness	38,5 mm
Height of the blade	34 mm
Blade pitch	22 mm
Rebate size	24 mm
Visual free area	60%
Physical free area	50%
Stainless steel mesh	RVS (AISI 304) with apertures 2.3 x 2.3 mm
Reinforcement	Louvres wider than 700 mm are provided with a reinforcement profile carrying additional blade supports to strengthen the wide louvre
INSTALLATION	
Fitting into glazing pocket using standard beads and packers.	
SHAPES	
Rectangular. square	
OPTIONS	
Insect mesh; water gutter.	

DIMENSIONS	
Min. dimension (height x width): 200 x 200 mm	
Max. dimension (height x width): 2000 x 4000 mm	
Other dimensions on request	



GL

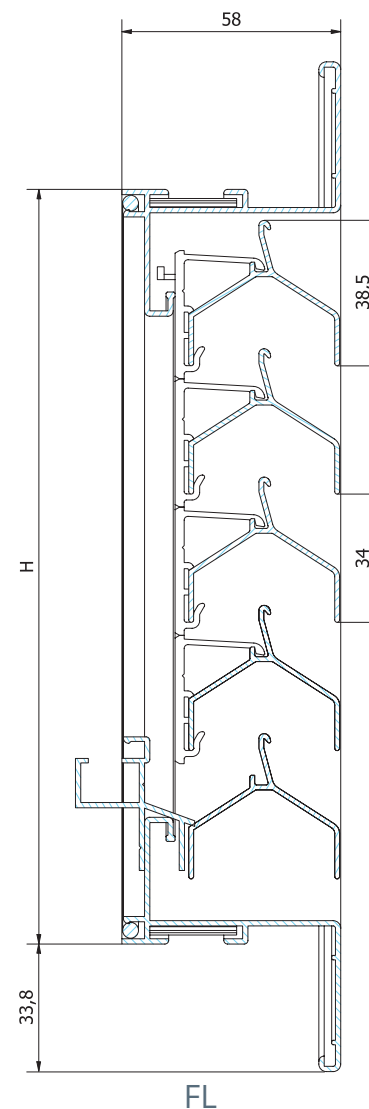
BRL34V-FL

Wall louvre with flange with 34 V-blade



TECHNICAL DETAILS	
Profile	Extruded alu profiles EN AW-6060 T66 (AlMgSi0.5 F22)
Profile thickness	min. 1,3 mm
Height of the blade	38,5 mm
Blade pitch	34 mm
Depth to fit	52,2 mm
Flange depth	33,8 mm
Visual free area	60%
Physical free area	50%
Stainless steel mesh	RVS (AISI 304) with apertures 2.3 x 2.3 mm
Reinforcement	Louvres wider than 700 mm are provided with a reinforcement profile carrying additional blade supports to strengthen the wide louvre
INSTALLATION	
Brackets (supplied as standard)	
SHAPES	
Rectangular. square	
OPTIONS	
Insect mesh; water gutter.	

DIMENSIONS	
Min. dimension (height x width): 200 x 200 mm	
Max. dimension (height x width): 2000 x 4000 mm	
Other dimensions on request	



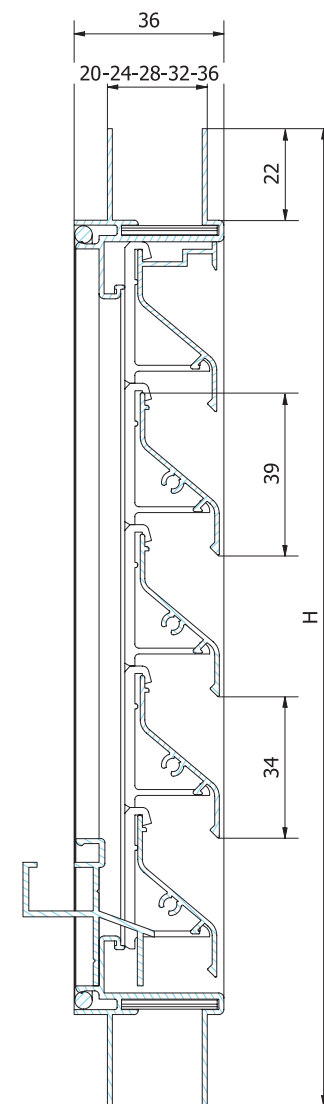
BRL34Z-GL

Glazed-in louvre with 34 Z-blade



TECHNICAL DETAILS	
Profile	Extruded alu profiles EN AW-6060 T66 (AlMgSi0.5 F22)
Profile thickness	min. 1,1 mm
Height of the blade	39 mm
Blade pitch	34 mm
Rebate size	22 mm
Glazing thickness	20, 24, 28, 32 lub 36 mm
Visual free area	68%
Physical free area	35%
Stainless steel mesh	RVS (AISI 304) with apertures 2.3 x 2.3 mm
Reinforcement	Louvres wider than 700 mm are provided with a reinforcement profile carrying additional blade supports to strengthen the wide louvre
INSTALLATION	
Fitting into glazing pocket using standard beads and packers.	
SHAPES	
Rectangular. square	
OPTIONS	
Insect mesh; water gutter.	

DIMENSIONS	
Min. dimension (height x width): 200 x 200 mm	
Max. dimension (height x width): 2000 x 4000 mm	
Other dimensions on request	



GL

BRL34Z-SM

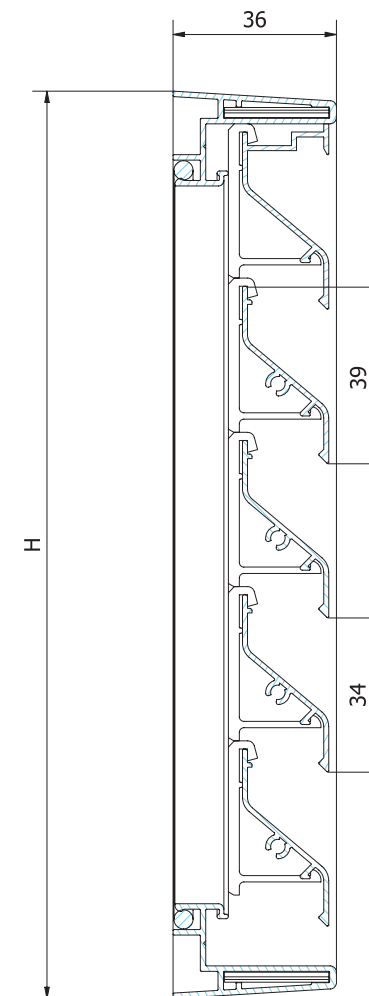
Surface mounted louvre with 34 Z-blade



TECHNICAL DETAILS	
Profile	Extruded alu profiles EN AW-6060 T66 (AlMgSi0.5 F22)
Profile thickness	min. 1,1 mm
Height of the blade	39 mm
Blade pitch	34 mm
Frame depth	36 mm
Visual free area	68%
Physical free area	35%
Stainless steel mesh	RVS (AISI 304) with apertures 2.3 x 2.3 mm
Reinforcement	Louvres wider than 700 mm are provided with a reinforcement profile carrying additional blade supports to strengthen the wide louvre
INSTALLATION	
By means of screws and plugs (not included)	
SHAPES	
Rectangular. square	
OPTIONS	
Insect mesh; water gutter, RC2.	



DIMENSIONS
Min. dimension (height x width): 200 x 200 mm
Max. dimension (height x width): 2000 x 4000 mm
Other dimensions on request



SM

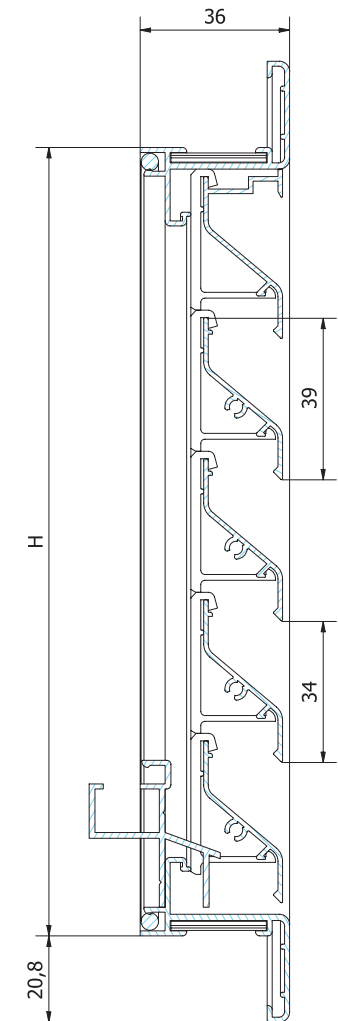
BRL34Z-FL

Wall louvre with flange with 34 Z-blade



TECHNICAL DETAILS	
Profile	Extruded alu profiles EN AW-6060 T66 (AlMgSi0.5 F22)
Profile thickness	min. 1,1 mm
Height of the blade	39 mm
Blade pitch	34 mm
Depth to fit	30,6 mm
Flange depth	20,8 mm
Visual free area	68%
Physical free area	35%
Stainless steel mesh	RVS (AISI 304) with apertures 2.3 x 2.3 mm
Reinforcement	Louvres wider than 700 mm are provided with a reinforcement profile carrying additional blade supports to strengthen the wide louvre
INSTALLATION	
Brackets (supplied as standard)	
SHAPES	
Rectangular. square	
OPTIONS	
Insect mesh; water gutter.	

DIMENSIONS
Min. dimension (height x width): 200 x 200 mm
Max. dimension (height x width): 2000 x 4000 mm
Other dimensions on request



FL

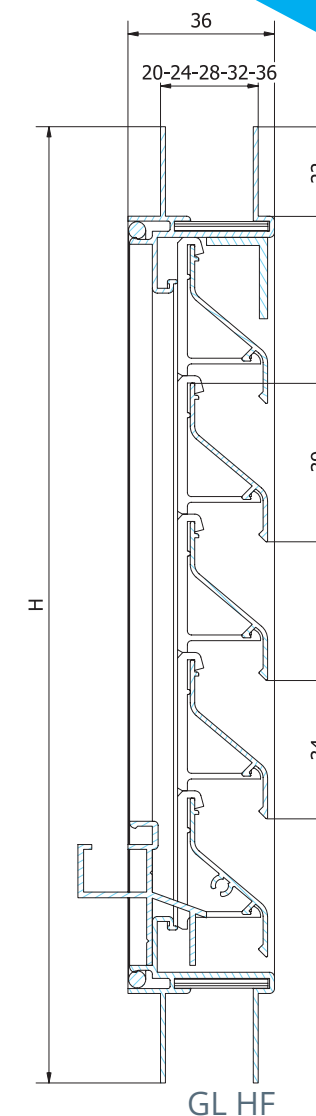
BRL34Z-GL HF

Glazed-in louvre with 34 Z-blade



TECHNICAL DETAILS	
Profile	Extruded alu profiles EN AW-6060 T66 (AlMgSi0.5 F22)
Profile thickness	min. 1,1 mm
Height of the blade	39 mm
Blade pitch	34 mm
Rebate size	22 mm
Glazing thickness	20, 24, 28, 32 lub 36 mm
Visual free area	68%
Physical free area	48%
Stainless steel mesh	RVS (AISI 304) with apertures 2.3 x 2.3 mm
Reinforcement	Louvres wider than 700 mm are provided with a reinforcement profile carrying additional blade supports to strengthen the wide louvre
INSTALLATION	
Fitting into glazing pocket using standard beads and packers.	
SHAPES	
Rectangular. square	
OPTIONS	
Insect mesh; water gutter.	

DIMENSIONS	
Min. dimension (height x width): 200 x 200 mm	
Max. dimension (height x width): 2000 x 4000 mm	
Other dimensions on request	



BRL34Z-SM HF

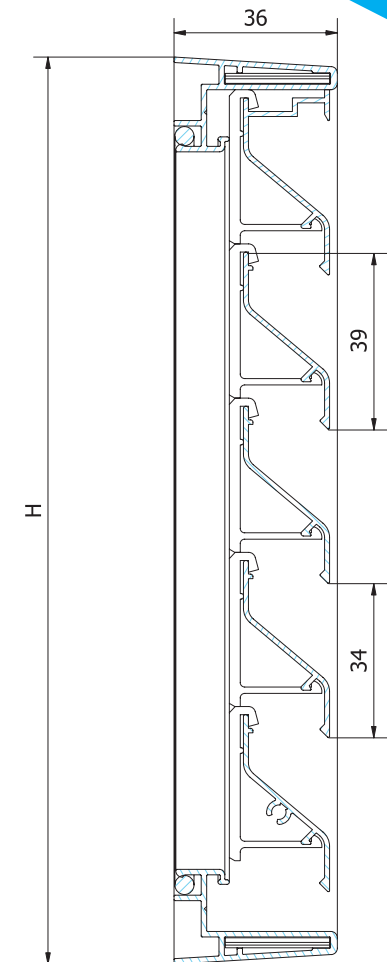
Surface mounted louvre with 34 Z-blade



TECHNICAL DETAILS	
Profile	Extruded alu profiles EN AW-6060 T66 (AlMgSi0.5 F22)
Profile thickness	min. 1,1 mm
Height of the blade	39 mm
Blade pitch	34 mm
Frame depth	36 mm
Visual free area	68%
Physical free area	48%
Stainless steel mesh	RVS (AISI 304) with apertures 2.3 x 2.3 mm
Reinforcement	Louvres wider than 700 mm are provided with a reinforcement profile carrying additional blade supports to strengthen the wide louvre
INSTALLATION	
By means of screws and plugs (not included)	
SHAPES	
Rectangular. square	
OPTIONS	
Insect mesh; water gutter, RC2.	



DIMENSIONS	
Min. dimension (height x width): 200 x 200 mm	
Max. dimension (height x width): 2000 x 4000 mm	
Other dimensions on request	



SM HF

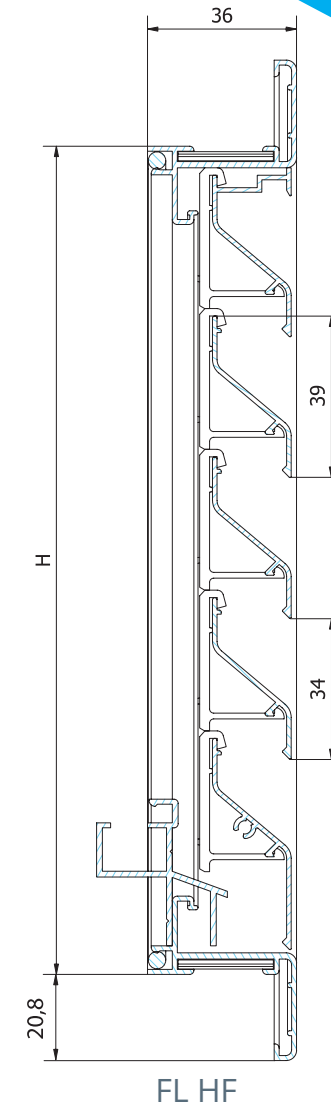
BRL34Z-FL HF

Wall louvre with flange with 34 Z-blade



TECHNICAL DETAILS	
Profile	Extruded alu profiles EN AW-6060 T66 (AlMgSi0.5 F22)
Profile thickness	min. 1,1 mm
Height of the blade	39 mm
Blade pitch	34 mm
Depth to fit	30,6 mm
Flange depth	20,8 mm
Visual free area	68%
Physical free area	48%
Stainless steel mesh	RVS (AISI 304) with apertures 2.3 x 2.3 mm
Reinforcement	Louvres wider than 700 mm are provided with a reinforcement profile carrying additional blade supports to strengthen the wide louvre
INSTALLATION	
Brackets (supplied as standard)	
SHAPES	
Rectangular. square	
OPTIONS	
Insect mesh; water gutter.	

DIMENSIONS	
Min. dimension (height x width): 200 x 200 mm	
Max. dimension (height x width): 2000 x 4000 mm	
Other dimensions on request	





**WATER
RESISTANT**

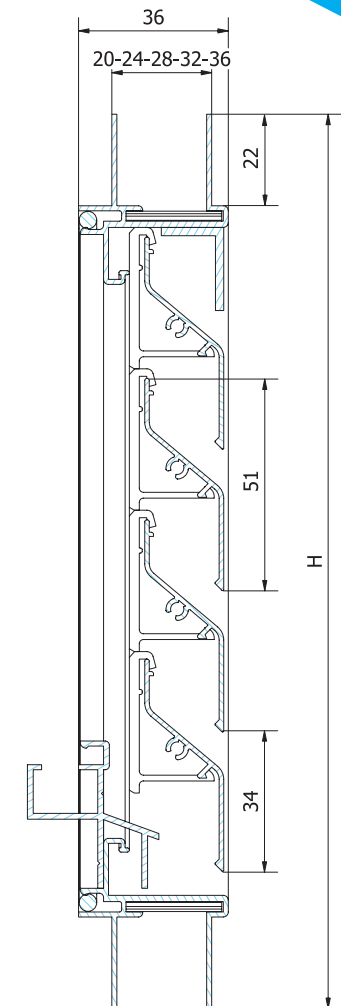
BRL34Z-GL EWR

Glazed-in louvre with 34 Z-blade



TECHNICAL DETAILS	
Profile	Extruded alu profiles EN AW-6060 T66 (AlMgSi0.5 F22)
Profile thickness	min. 1,1 mm
Height of the blade	51 mm
Blade pitch	34 mm
Rebate size	22 mm
Glazing thickness	20, 24, 28, 32 lub 36 mm
Visual free area	29%
Physical free area	21%
Stainless steel mesh	RVS (AISI 304) with apertures 2.3 x 2.3 mm
Reinforcement	Louvres wider than 700 mm are provided with a reinforcement profile carrying additional blade supports to strengthen the wide louvre
INSTALLATION	
Fitting into glazing pocket using standard beads and packers.	
SHAPES	
Rectangular. square	
OPTIONS	
Insect mesh; water gutter.	

DIMENSIONS
Min. dimension (height x width): 200 x 200 mm
Max. dimension (height x width): 2000 x 4000 mm
Other dimensions on request



GL EWR



**WATER
RESISTANT**

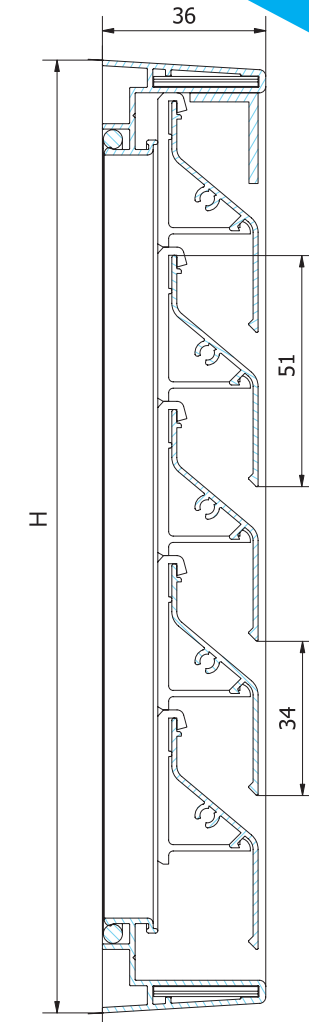
BRL34Z-SM EWR

Surface mounted louvre with 34 Z-blade



TECHNICAL DETAILS	
Profile	Extruded alu profiles EN AW-6060 T66 (AlMgSi0.5 F22)
Profile thickness	min. 1,1 mm
Height of the blade	51 mm
Blade pitch	34 mm
Frame depth	36 mm
Visual free area	29%
Physical free area	21%
Stainless steel mesh	RVS (AISI 304) with apertures 2.3 x 2.3 mm
Reinforcement	Louvres wider than 700 mm are provided with a reinforcement profile carrying additional blade supports to strengthen the wide louvre
INSTALLATION	
By means of screws and plugs (not included)	
SHAPES	
Rectangular. square	
OPTIONS	
Insect mesh; water gutter.	

DIMENSIONS
Min. dimension (height x width): 200 x 200 mm
Max. dimension (height x width): 2000 x 4000 mm
Other dimensions on request



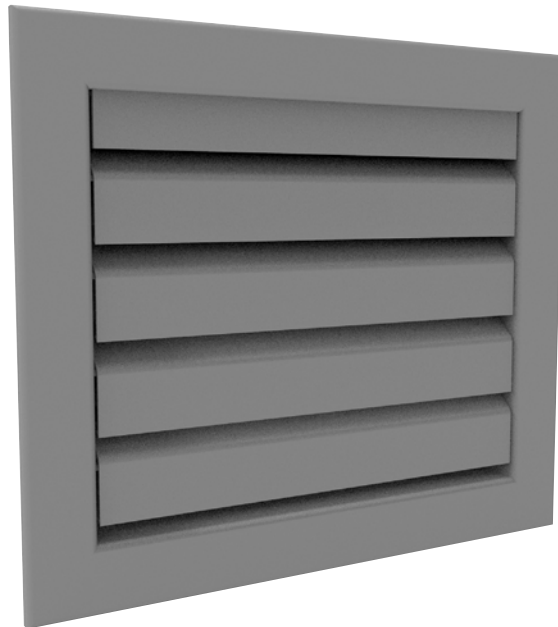
SM EWR



**WATER
RESISTANT**

BRL34Z-FL EWR

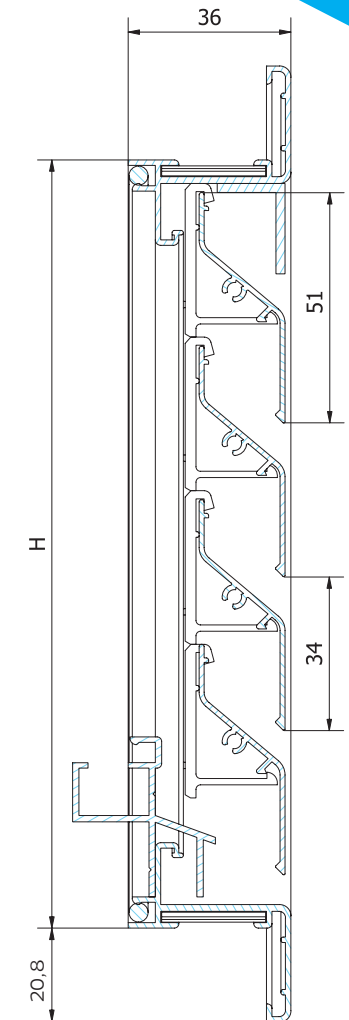
Wall louvre with flange with 34 Z-blade



TECHNICAL DETAILS	
Profile	Extruded alu profiles EN AW-6060 T66 (AlMgSi0.5 F22)
Profile thickness	min. 1,1 mm
Height of the blade	51 mm
Blade pitch	34 mm
Depth to fit	30,6 mm
Flange depth	20,8 mm
Visual free area	29%
Physical free area	21%
Stainless steel mesh	RVS (AISI 304) with apertures 2.3 x 2.3 mm
Reinforcement	Louvres wider than 700 mm are provided with a reinforcement profile carrying additional blade supports to strengthen the wide louvre
INSTALLATION	
Brackets (supplied as standard)	
SHAPES	
Rectangular. square	
OPTIONS	
Insect mesh; water gutter.	

DIMENSIONS

Min. dimension (height x width): 200 x 200 mm
Max. dimension (height x width): 2000 x 4000 mm
Other dimensions on request



FL EWR

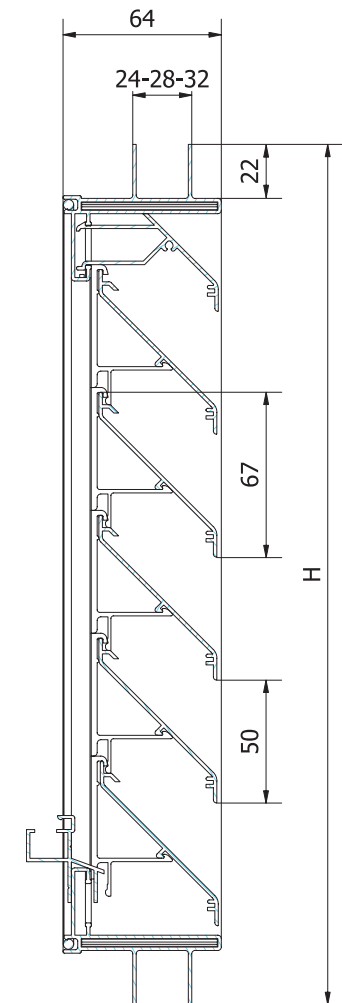
BRL50Z-GL

Glazed-in louvre with 50 Z-blade



TECHNICAL DETAILS	
Profile	Extruded alu profiles EN AW-6060 T66 (AlMgSi0.5 F22)
Profile thickness	min. 1,4 mm
Height of the blade	67 mm
Blade pitch	50 mm
Rebate size	22 mm
Glazing thickness	24, 28 lub 32 mm
Visual free area	78%
Physical free area	48%
Stainless steel mesh	RVS (AISI 304) with apertures 2.3 x 2.3 mm
Reinforcement	Louvres wider than 700 mm are provided with a reinforcement profile carrying additional blade supports to strengthen the wide louvre
INSTALLATION	
Fitting into glazing pocket using standard beads and packers.	
SHAPES	
Rectangular. square	
OPTIONS	
Insect mesh; water gutter.	

DIMENSIONS
Min. dimension (height x width): 200 x 200 mm
Max. dimension (height x width): 2000 x 4000 mm
Other dimensions on request



GL

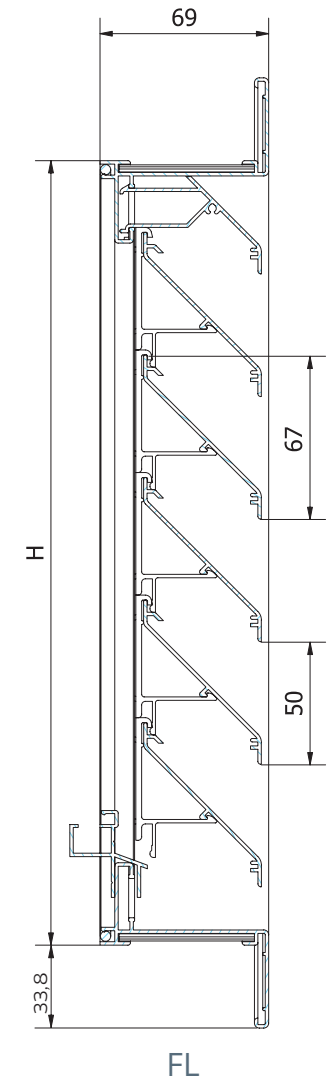
BRL50Z-FL

Wall louvre with flange with 50 Z-blade



TECHNICAL DETAILS	
Profile	Extruded alu profiles EN AW-6060 T66 (AlMgSi0.5 F22)
Profile thickness	min. 1,4 mm
Height of the blade	67 mm
Blade pitch	50 mm
Depth to fit	63 mm
Flange depth	33,8 mm
Visual free area	78%
Physical free area	48%
Stainless steel mesh	RVS (AISI 304) with apertures 2.3 x 2.3 mm
Reinforcement	Louvres wider than 700 mm are provided with a reinforcement profile carrying additional blade supports to strengthen the wide louvre
INSTALLATION	
Brackets (supplied as standard)	
SHAPES	
Rectangular. square	
OPTIONS	
Insect mesh; water gutter.	

DIMENSIONS
Min. dimension (height x width): 200 x 200 mm
Max. dimension (height x width): 2000 x 4000 mm
Other dimensions on request





**WATER
RESISTANT**

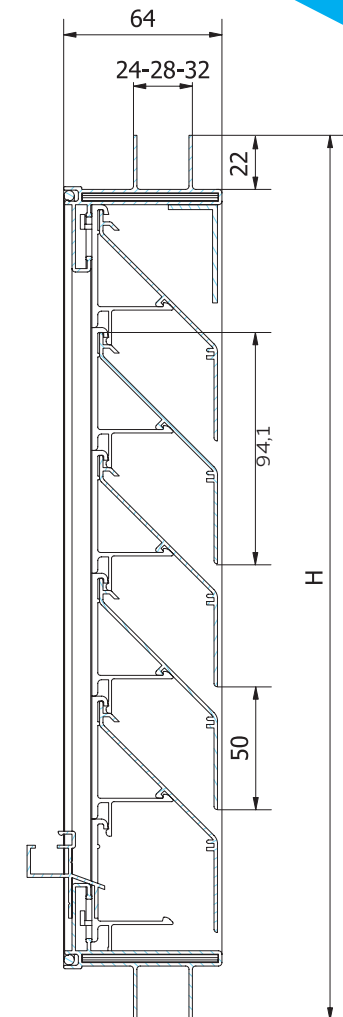
BRL50Z-GL EWR

Glazed-in louvre with flange with 50 Z-blade



TECHNICAL DETAILS	
Profile	Extruded alu profiles EN AW-6060 T66 (AlMgSi0.5 F22)
Profile thickness	min. 1,4 mm
Height of the blade	94,1 mm
Blade pitch	50 mm
Rebate size	22 mm
Glazing thickness	24, 28 lub 32 mm
Visual free area	24%
Physical free area	16%
Stainless steel mesh	RVS (AISI 304) with apertures 2.3 x 2.3 mm
Reinforcement	Louvres wider than 700 mm are provided with a reinforcement profile carrying additional blade supports to strengthen the wide louvre
INSTALLATION	
Fitting into glazing pocket using standard beads and packers.	
SHAPES	
Rectangular, square	
OPTIONS	
Insect mesh; water gutter.	

DIMENSIONS	
Min. dimension (height x width): 200 x 200 mm	
Max. dimension (height x width): 2000 x 4000 mm	
Other dimensions on request	



GL EWR



**WATER
RESISTANT**

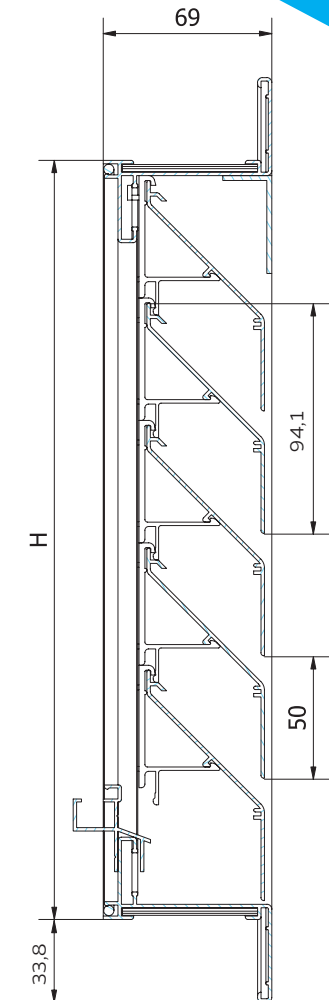
BRL50Z-FL EWR

Wall louvre with flange with 50 Z-blade



TECHNICAL DETAILS	
Profile	Extruded alu profiles EN AW-6060 T66 (AlMgSi0.5 F22)
Profile thickness	min. 1,4 mm
Height of the blade	94,1 mm
Blade pitch	50 mm
Depth to fit	63 mm
Flange depth	33,8 mm
Visual free area	24%
Physical free area	16%
Stainless steel mesh	RVS (AISI 304) with apertures 2.3 x 2.3 mm
Reinforcement	Louvres wider than 700 mm are provided with a reinforcement profile carrying additional blade supports to strengthen the wide louvre
INSTALLATION	
Brackets (supplied as standard)	
SHAPES	
Rectangular. square	
OPTIONS	
Insect mesh; water gutter.	

DIMENSIONS
Min. dimension (height x width): 200 x 200 mm
Max. dimension (height x width): 2000 x 4000 mm
Other dimensions on request



FL EWR



**WATER
RESISTANT**

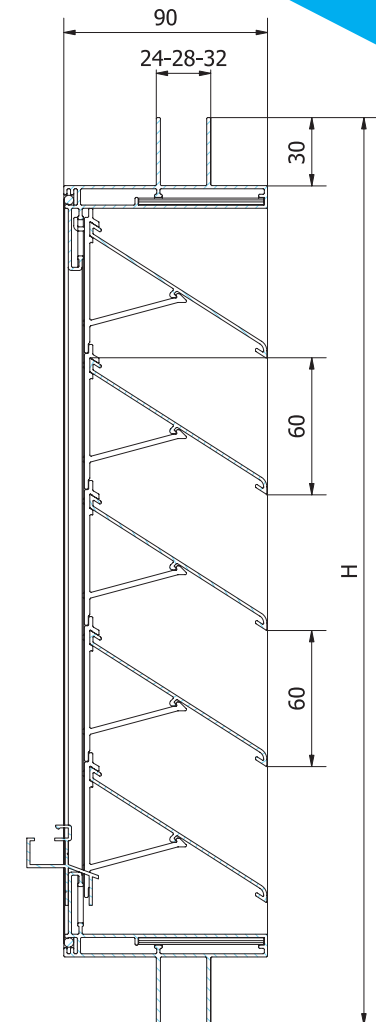
BRL60Z-GL

Glazed-in louvre with 60 Z-blade



TECHNICAL DETAILS	
Profile	Extruded alu profiles EN AW-6060 T66 (AlMgSi0.5 F22)
Profile thickness	min. 1,4 mm
Height of the blade	60 mm
Blade pitch	60 mm
Rebate size	30 mm
Glazing thickness	24, 28 or 32 mm
Visual free area	90%
Physical free area	76%
Stainless steel mesh	RVS (AISI 304) with apertures 2.3 x 2.3 mm
Reinforcement	Louvres wider than 700 mm are provided with a reinforcement profile carrying additional blade supports to strengthen the wide louvre
INSTALLATION	
Fitting into glazing pocket using standard beads and packers.	
SHAPES	
Rectangular, square	
OPTIONS	
Insect mesh; water gutter.	

DIMENSIONS
Min. dimension (height x width): 200 x 200 mm
Max. dimension (height x width): 2000 x 4000 mm
Other dimensions on request



GL

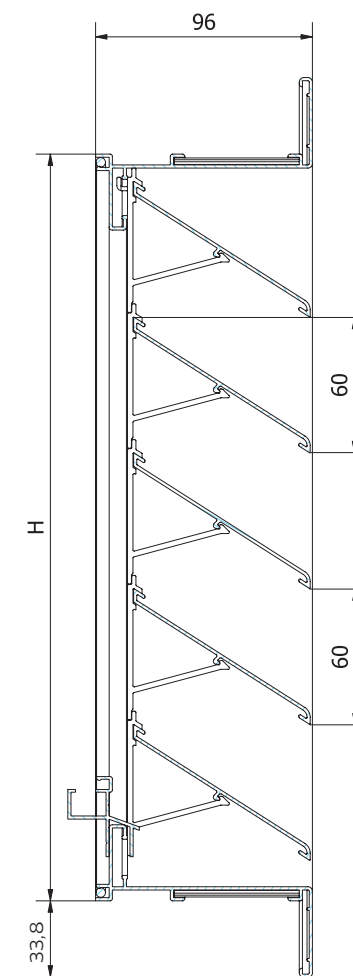
BRL60Z-FL

Wall louvre with flange with 60 Z-blade



TECHNICAL DETAILS	
Profile	Extruded alu profiles EN AW-6060 T66 (AlMgSi0.5 F22)
Profile thickness	min. 1,4 mm
Height of the blade	60 mm
Blade pitch	60 mm
Depth to fit	89,8 mm
Flange depth	33,8 mm
Visual free area	90%
Physical free area	76%
Stainless steel mesh	RVS (AISI 304) with apertures 2.3 x 2.3 mm
Reinforcement	Louvres wider than 700 mm are provided with a reinforcement profile carrying additional blade supports to strengthen the wide louvre
INSTALLATION	
Brackets (supplied as standard)	
SHAPES	
Rectangular. square	
OPTIONS	
Insect mesh; water gutter.	

DIMENSIONS
Min. dimension (height x width): 200 x 200 mm
Max. dimension (height x width): 2000 x 4000 mm
Other dimensions on request



FL



**WATER
RESISTANT**

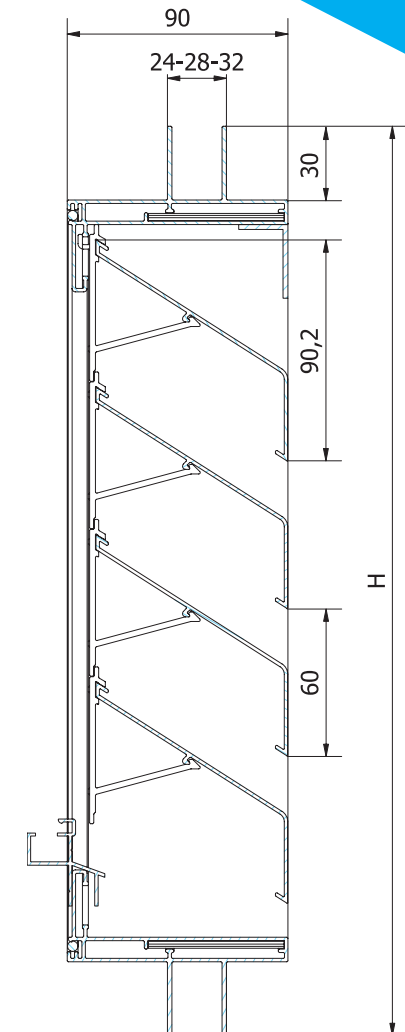
BRL60Z-GL EWR

Glazed-in louvre with flange with 60 Z-blade



TECHNICAL DETAILS	
Profile	Extruded alu profiles EN AW-6060 T66 (AlMgSi0.5 F22)
Profile thickness	min. 1,4 mm
Height of the blade	90,2 mm
Blade pitch	60 mm
Rebate size	30 mm
Glazing thickness	24, 28 lub 32 mm
Visual free area	40%
Physical free area	33%
Stainless steel mesh	RVS (AISI 304) with apertures 2.3 x 2.3 mm
Reinforcement	Louvres wider than 700 mm are provided with a reinforcement profile carrying additional blade supports to strengthen the wide louvre
INSTALLATION	
Fitting into glazing pocket using standard beads and packers.	
SHAPES	
Rectangular. square	
OPTIONS	
Insect mesh; water gutter.	

DIMENSIONS	
Min. dimension (height x width): 200 x 200 mm	
Max. dimension (height x width): 2000 x 4000 mm	
Other dimensions on request	



GL EWR

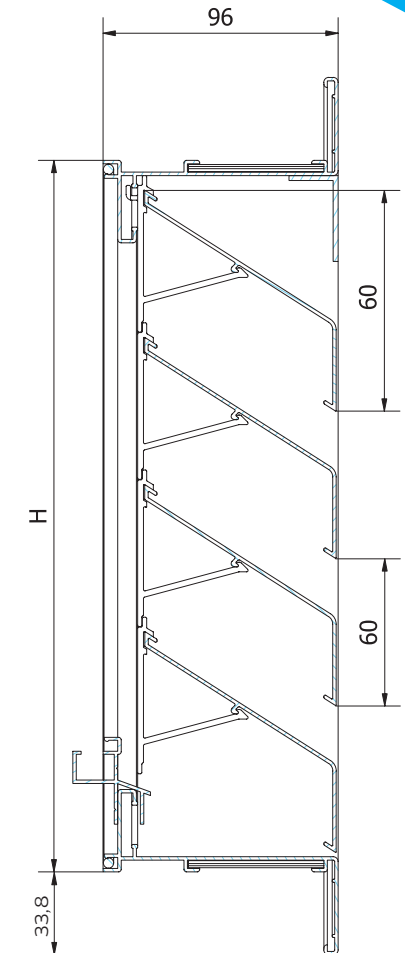
BRL60Z-FL EWR

Wall louvre with flange with 60 Z-blade



TECHNICAL DETAILS	
Profile	Extruded alu profiles EN AW-6060 T66 (AlMgSi0.5 F22)
Profile thickness	min. 1,4 mm
Height of the blade	60 mm
Blade pitch	60 mm
Depth to fit	89,8 mm
Flange depth	33,8 mm
Visual free area	40%
Physical free area	33%
Stainless steel mesh	RVS (AISI 304) with apertures 2.3 x 2.3 mm
Reinforcement	Louvres wider than 700 mm are provided with a reinforcement profile carrying additional blade supports to strengthen the wide louvre
INSTALLATION	
Brackets (supplied as standard)	
SHAPES	
Rectangular. square	
OPTIONS	
Insect mesh; water gutter.	

DIMENSIONS	
Min. dimension (height x width): 200 x 200 mm	
Max. dimension (height x width): 2000 x 4000 mm	
Other dimensions on request	



FL EWR

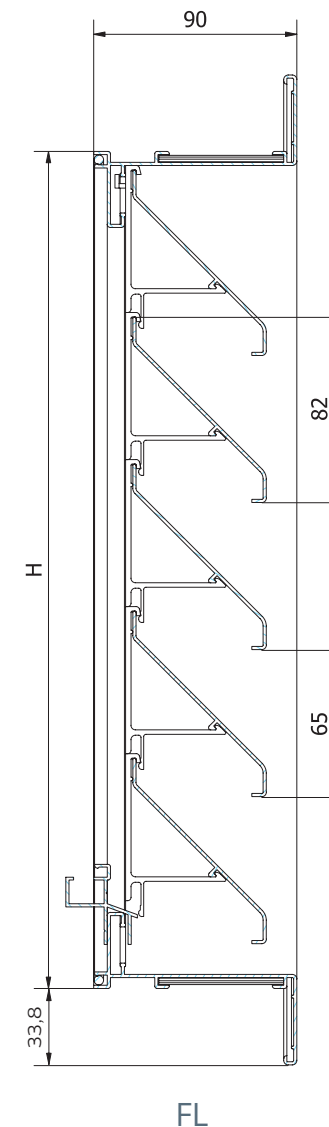
BRL65Z-FL

Wall louvre with flange with 65 Z-blade



TECHNICAL DETAILS	
Profile	Extruded alu profiles EN AW-6060 T66 (AlMgSi0.5 F22)
Profile thickness	min. 1,4 mm
Height of the blade	82 mm
Blade pitch	65 mm
Depth to fit	84 mm
Flange depth	33,8 mm
Visual free area	78%
Physical free area	53%
Stainless steel mesh	RVS (AISI 304) with apertures 2.3 x 2.3 mm
Reinforcement	Louvres wider than 700 mm are provided with a reinforcement profile carrying additional blade supports to strengthen the wide louvre
INSTALLATION	
Brackets (supplied as standard)	
SHAPES	
Rectangular, square	
OPTIONS	
Insect mesh; water gutter.	

DIMENSIONS
Min. dimension (height x width): 200 x 200 mm
Max. dimension (height x width): 2000 x 4000 mm
Other dimensions on request



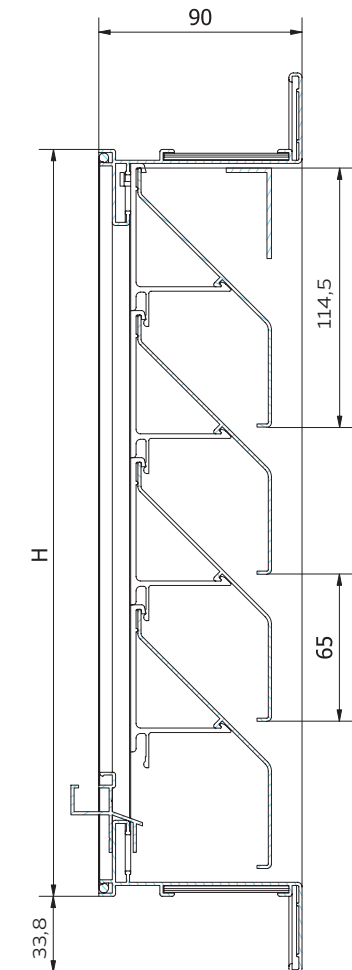
BRL65Z-FL EWR

Wall louvre with flange with 65 Z-blade



TECHNICAL DETAILS	
Profile	Extruded alu profiles EN AW-6060 T66 (AlMgSi0.5 F22)
Profile thickness	min. 1,4 mm
Height of the blade	114,5 mm
Blade pitch	65 mm
Depth to fit	84 mm
Flange depth	33,8 mm
Visual free area	31%
Physical free area	14%
Stainless steel mesh	RVS (AISI 304) with apertures 2.3 x 2.3 mm
Reinforcement	Louvres wider than 700 mm are provided with a reinforcement profile carrying additional blade supports to strengthen the wide louvre
INSTALLATION	
Brackets (supplied as standard)	
SHAPES	
Rectangular. square	
OPTIONS	
Insect mesh; water gutter.	

DIMENSIONS
Min. dimension (height x width): 200 x 200 mm
Max. dimension (height x width): 2000 x 4000 mm
Other dimensions on request



FL EWR

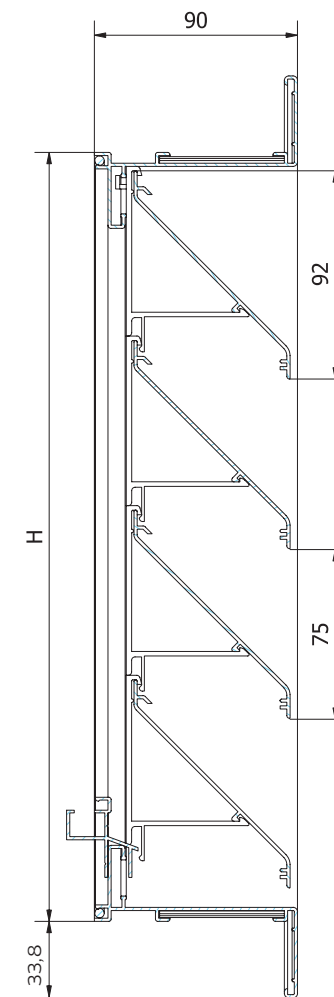
BRL75Z-FL

Wall louvre with flange with 75 Z-blade



TECHNICAL DETAILS	
Profile	Extruded alu profiles EN AW-6060 T66 (AlMgSi0.5 F22)
Profile thickness	min. 1,4 mm
Height of the blade	92 mm
Blade pitch	75 mm
Depth to fit	84 mm
Flange depth	33,8 mm
Visual free area	83%
Physical free area	57%
Stainless steel mesh	RVS (AISI 304) with apertures 2.3 x 2.3 mm
Reinforcement	Louvres wider than 700 mm are provided with a reinforcement profile carrying additional blade supports to strengthen the wide louvre
INSTALLATION	
Brackets (supplied as standard)	
SHAPES	
Rectangular, square	
OPTIONS	
Insect mesh; water gutter.	

DIMENSIONS
Min. dimension (height x width): 300 x 300 mm
Max. dimension (height x width): 2000 x 4000 mm
Other dimensions on request



FL

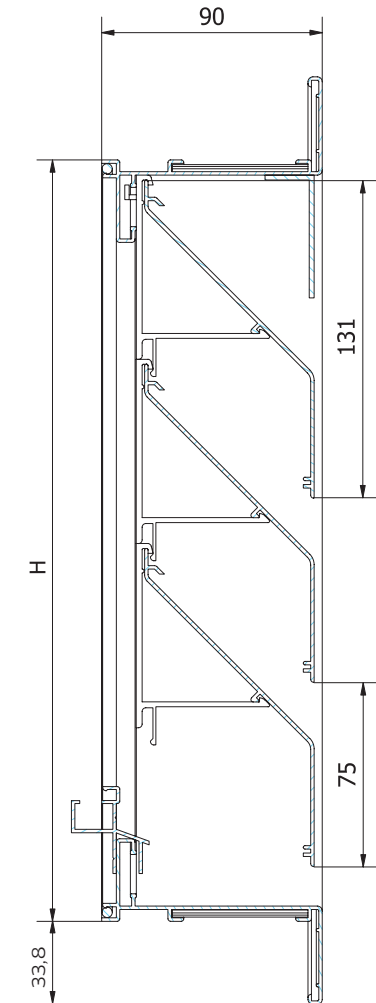
BRL75Z-FL EWR

Wall louvre with flange with 75 Z-blade



TECHNICAL DETAILS	
Profile	Extruded alu profiles EN AW-6060 T66 (AlMgSi0.5 F22)
Profile thickness	min. 1,4 mm
Height of the blade	131 mm
Blade pitch	75 mm
Depth to fit	84 mm
Flange depth	33,8 mm
Visual free area	33%
Physical free area	23%
Stainless steel mesh	RVS (AISI 304) with apertures 2.3 x 2.3 mm
Reinforcement	Louvers wider than 700 mm are provided with a reinforcement profile carrying additional blade supports to strengthen the wide louver
INSTALLATION	
Brackets (supplied as standard)	
SHAPES	
Rectangular. square	
OPTIONS	
Insect mesh; water gutter.	

DIMENSIONS
Min. dimension (height x width): 300 x 300 mm
Max. dimension (height x width): 2000 x 4000 mm
Other dimensions on request



FL EWR

BRL-DR

Door louvre



TECHNICAL DETAILS

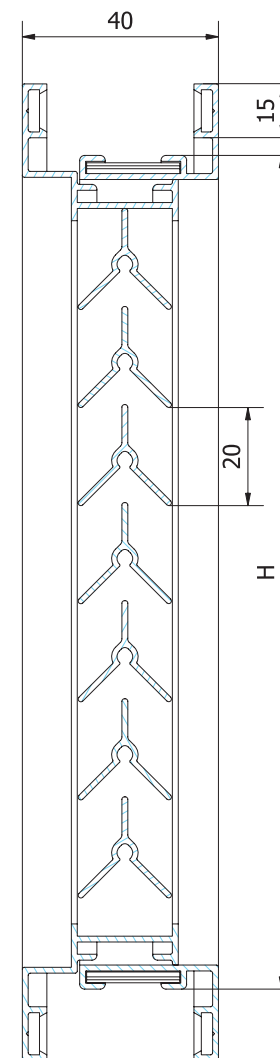
Profile	Louvre with counterframe without see-through
Door thickness	Od 30 do 54 mm
The distance between blades	20 mm
Flange depth	15 mm
Max. width (1 piece)	800 mm

INSTALLATION

Screws (included)

DIMENSIONS

Min. dimension (height x width): 200 x 200 mm
Max. dimension (height x width): 2000 x 800 mm
Other dimensions on request

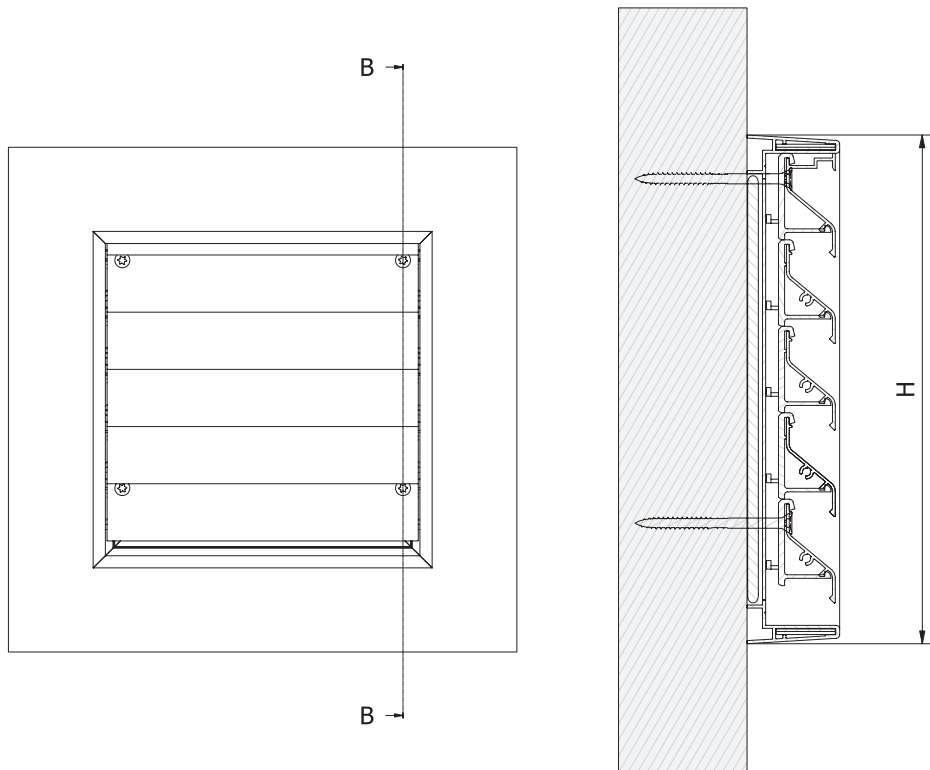


DR

INSTALLATION GUIDELINES

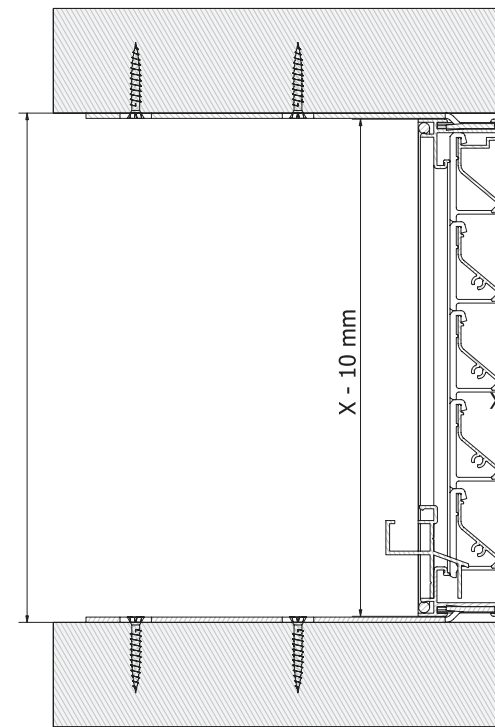
Surface mounted louvre (type SM)

– installation with screws and pins (not included)



Flanged wall louvre (FL)

– mounting with brackets (included)



Colours & Finishes

Brookvent louvres are manufactured using aluminium which is, being totally recyclable, one of the most sustainable materials. Aluminium also has the benefit of various finishes.

AVAILABLE FINISHES : Polyester powder coating (PPC) to RAL Colour / Pre-Anodising /Anodising natural Colour / Anodising Colour/ Mill finish.

The myriad of finishes available mean we can match almost any requirement. We can offer finishes suitable for all environments.

Please contact us with your needs and we will endeavour to provide the best solutions for you.

