



**WATER
RESISTANT**

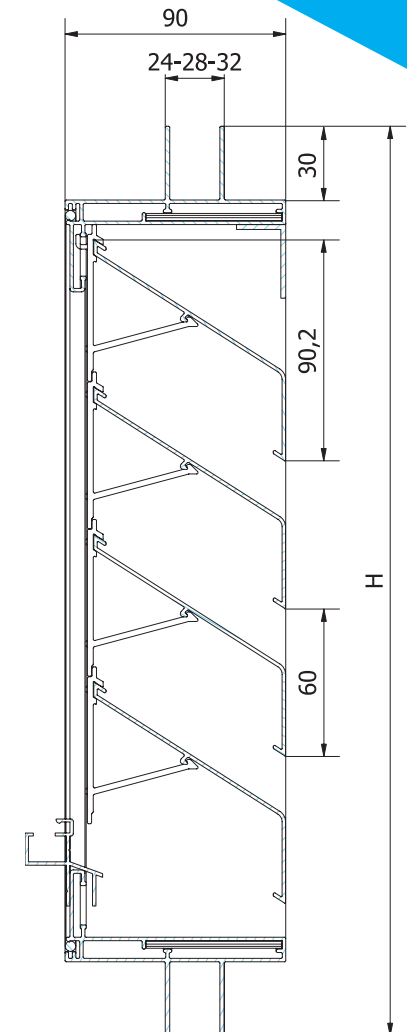
BRL60Z-GL EWR

Glazed-in louvre with flange with 60 Z-blade



TECHNICAL DETAILS	
Profile	Extruded alu profiles EN AW-6060 T66 (AlMgSi0.5 F22)
Profile thickness	min. 1,4 mm
Height of the blade	90,2 mm
Blade pitch	60 mm
Rebate size	30 mm
Glazing thickness	24, 28 lub 32 mm
Visual free area	40%
Physical free area	33%
Stainless steel mesh	RVS (AISI 304) with apertures 2.3 x 2.3 mm
Reinforcement	Louvres wider than 700 mm are provided with a reinforcement profile carrying additional blade supports to strengthen the wide louvre
INSTALLATION	
Fitting into glazing pocket using standard beads and packers.	
SHAPES	
Rectangular. square	
OPTIONS	
Insect mesh; water gutter.	

DIMENSIONS	
Min. dimension (height x width): 200 x 200 mm	
Max. dimension (height x width): 2000 x 4000 mm	
Other dimensions on request	



GL EWR