

BROOKVENT™ airduct^o FIREBRICK

Core features:

- ✓ Provides 90% Free Area
- ✓ Low profile design offers minimal airflow resistance
- ✓ Available for 204x60 (Single & Double) and 220x90mm (double) Ductwork
- ✓ Bespoke sleeve configurations available on request
- ✓ RAL Colour Matching – A2 Rated Polyester Powder Coating
- ✓ Optional Bezel for non-brick façade
- ✓ Constructed from 1mm galvanized steel

Standard configurations:

- 204x60mm to single airbrick
- 204x60mm to double airbrick
- 220x90mm to double airbrick
- Optional bezel available for all types

The Range is designed to Comply with:

- Approved Document F Ventilation (2010 edition incorporating 2021 amendments)
- Approved Document B Fire safety (2019 edition incorporating 2020 amendments)
- Corrosion Testing: ISO 9227:2022
- Airflow Testing: EN13141-2:2010



Non-flammable



Low airflow resistance



Corrosion tested



Safe construction

BROOKVENT™

Introducing the A1 Fire Rated airbricks.

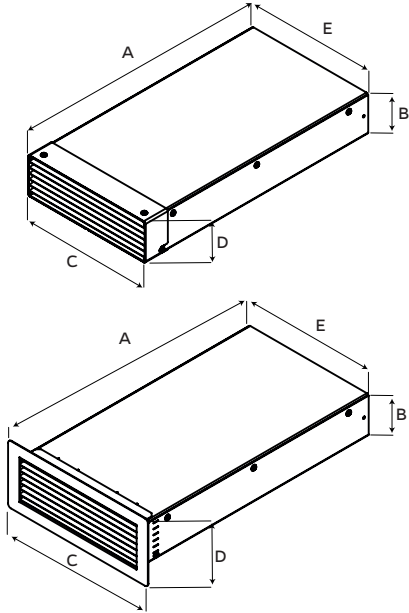
Designed with performance and functionality in mind the airduct FIREBRICK comes as standard with 400mm long 204x60mm and 220x90mm transitions for single and double airbricks along with an optional bezel. Site measured transitions are available on request. The FIREBRICK is manufactured with A1 rated steel specifically designed to ensure compliance for mechanical ventilation systems in dwellings over 18m (11m Scotland).

Brookvent's bespoke optional bezel is ideal for non-brick façade finishes and will not impact the product free area.



FIREBRICK models

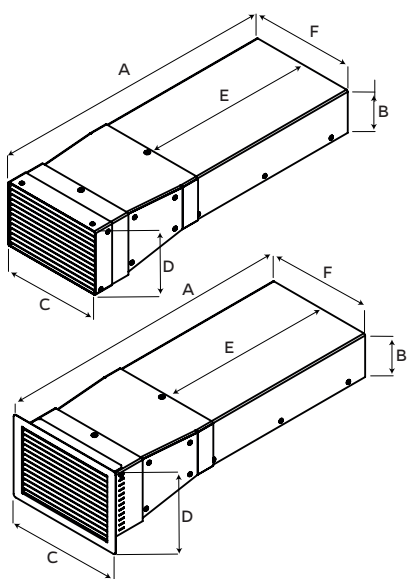
Single airduct FIREBRICK



204x60 Single	Standard [mm]	Bezel [mm]
A	400	400
B	62.50	62.50
C	210.50	243
D	64	101.30
E	209	209



Double airduct FIREBRICK



204x90 Double	Standard [mm]	Bezel [mm]
A	603	604
B	89.50	89.50
C	209	242
D	131	169.30
E	400	400
F	220	220

204x60 Double	Standard [mm]	Bezel [mm]
A	603	604
B	59.5	59.5
C	209	242
D	131	169,3
E	400	400
F	203.5	203.5

