



When you want a flush finish to your timber or composite windows, this is the vent to choose. The airvent click 3000 or 4000 sit neatly into the surface and spring into action with a simple touch.



COLOURS:

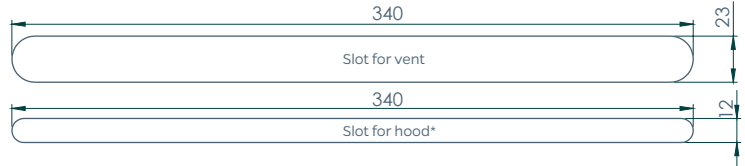


SLOT DETAILS [mm]:

Click 3000



Click 4000



DIMENSIONS:
(width x height x depth)



Internal Vent

Click 4000 / Click 3000:
343 x 27 x 21 [mm] / 268 x 27 x 21 [mm]



Internal Insect Grill

296 x 19 x 8,5 [mm] / 189 x 19 x 8,5 [mm]



External Hood

Tip Vent
430 x 21 x 23 [mm]

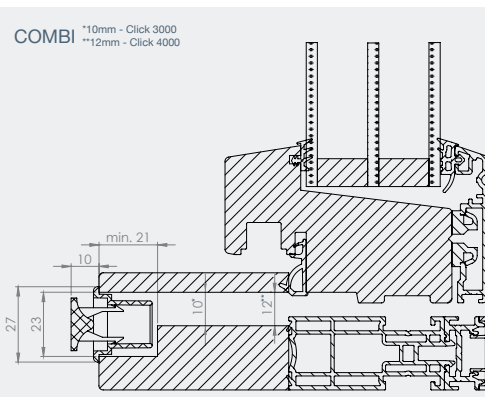
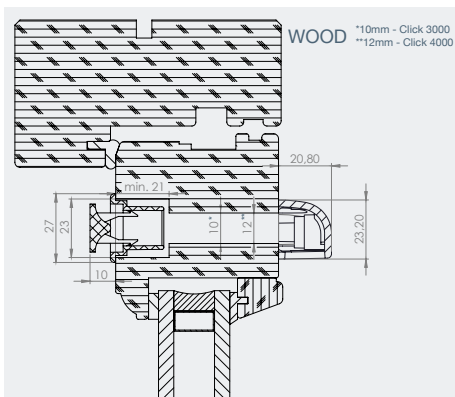
FEATURES:

- ✓ A neat and effective flush fitting vent, ideal for use on timber and composite windows.
- ✓ Great flush mounted design. When closed the vent's height is just 2 mm.
- ✓ Patented Easy-Click function, which allows full or partial opening.
- ✓ Designed for timber and composite windows (other models available for other window types).
- ✓ Mounting without the use of tools thanks to a metal fixing clip. Easy and quick assembly and disassembly.
- ✓ Made in Europe using highest quality anodised aluminium and ABS.

AIRFLOW / ACOUSTIC / WATER TIGHTNESS:

Model	Equivalent Area EA [mm ²]	Airflow Open @20Pa	Acoustics Dnew (c;Ctr)	Water tightness (Closed Position) [Pa]
Click 4000	3100	41 m ³ /h	33 (-1;-1) dB	450 Pa
Click 3000	2060	27 m ³ /h	35 (-1;-2) dB	200 Pa

CROSS SECTION [mm]:



CLOSING MECHANISM:

