

airvent

► TUNAL TOP NEO

Window ventilation on the frame



Tunal Top Neo is a high performing thermally broken over frame window vent.

Features:

- Thermally broken
- Self-regulating
- Suitable for frame depths from 50–194mm
- Suitable for use on all type of window construction: aluminium, timber & plastic
- Inner profile acts as an insect grille. Easily removed for cleaning
- Natural upward deflection
- Manufactured from extruded aluminium

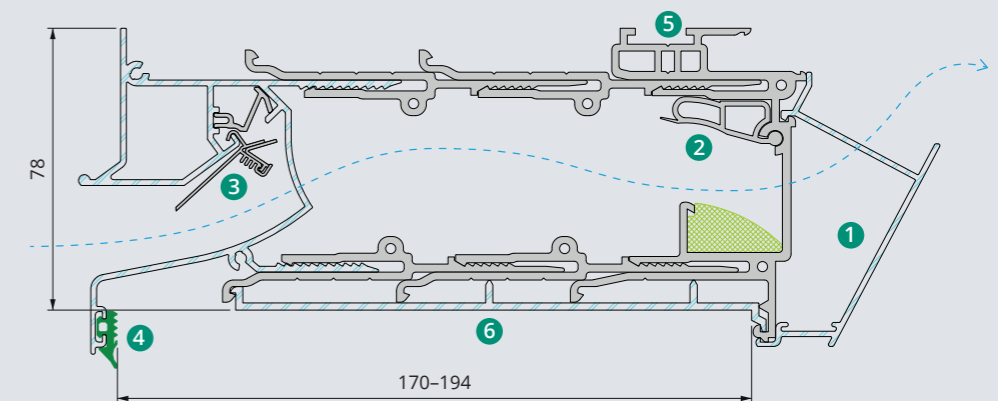
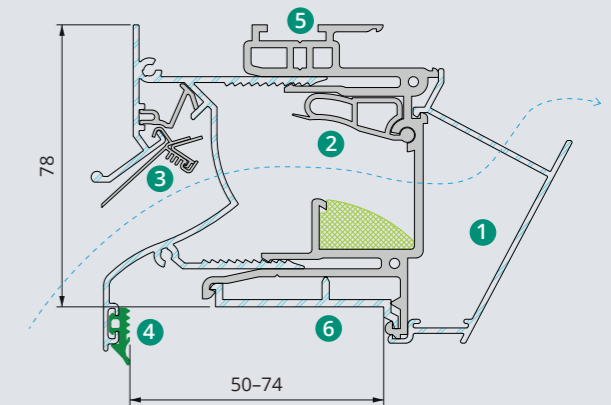


U_f
1,8 W/m².K

Equivalent Area
14125 mm²/m

The Principle

- 1 Natural upward flow of air via removable insect grille
- 2 Adjustable air inlet allowing for 5 different airflow positions
- 3 Self-regulating valve to ensure a uniform flow of air even in high winds
- 4 Gasket for continuous sealing on the window frame
- 5 Euronut groove 14/18
- 6 Fixation plate for each type of window framework available for different frame depths



TunalTopNeo	
Equivalent Area ⁽¹⁾	14125 mm ² /m
Air flow Q at 1 Pa	11.1 dm ³ /s/m
Air flow q ₁ at 2 Pa	57 m ³ /h/m
Air flow q ₁ at 10 Pa	83 m ³ /h/m
L ₀ at 2 Pa ⁽²⁾	0.08 m
L ₀ at 10 Pa ⁽²⁾	0.21 m
Control options	5 different positions
Self-regulation	Yes
U _f -value	1.8 W/m ² .K
Acoustic insulation Dn,e,w (C, Ctr) in open position	29 (0;-1) dB
Insect grille	Yes
Water tightness - In closed position - In open position	650 Pa 150 Pa
Leak flow in closed position at 50 Pa	<15%
Surface area	0.078 m ² /m
Build in height	78 mm
Window frame depths (adjustable), larger on demand	50-194 mm
Maximum dimension under guarantee	3000 mm

(1) Value for non self regulating version, according to EN 13141-1
(2) L = total length vent – end cap dimension